



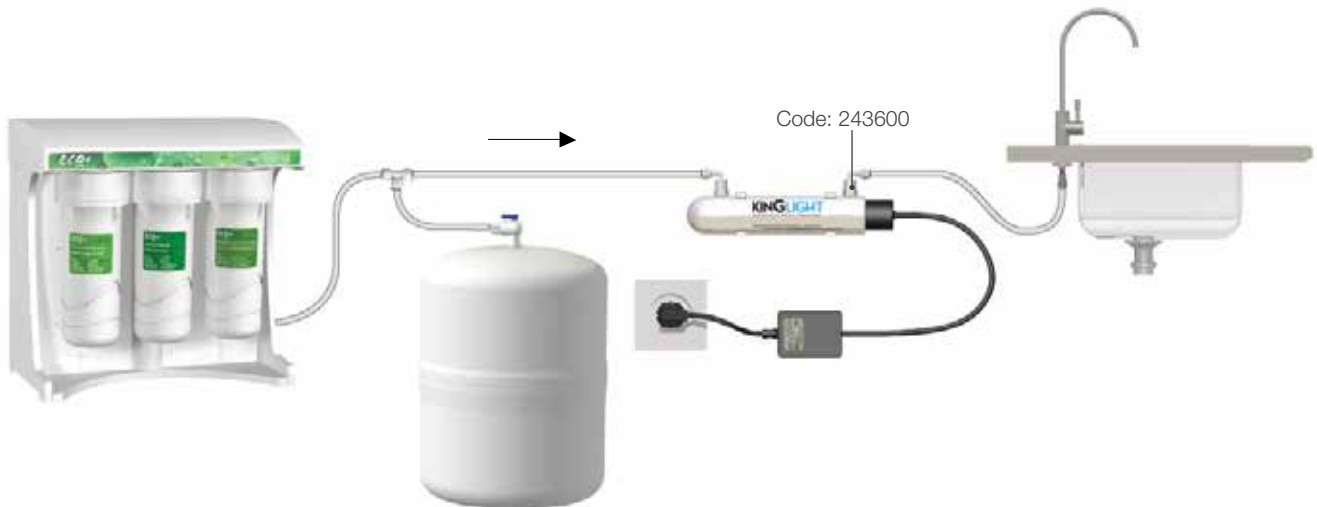
12.

UV Lamps

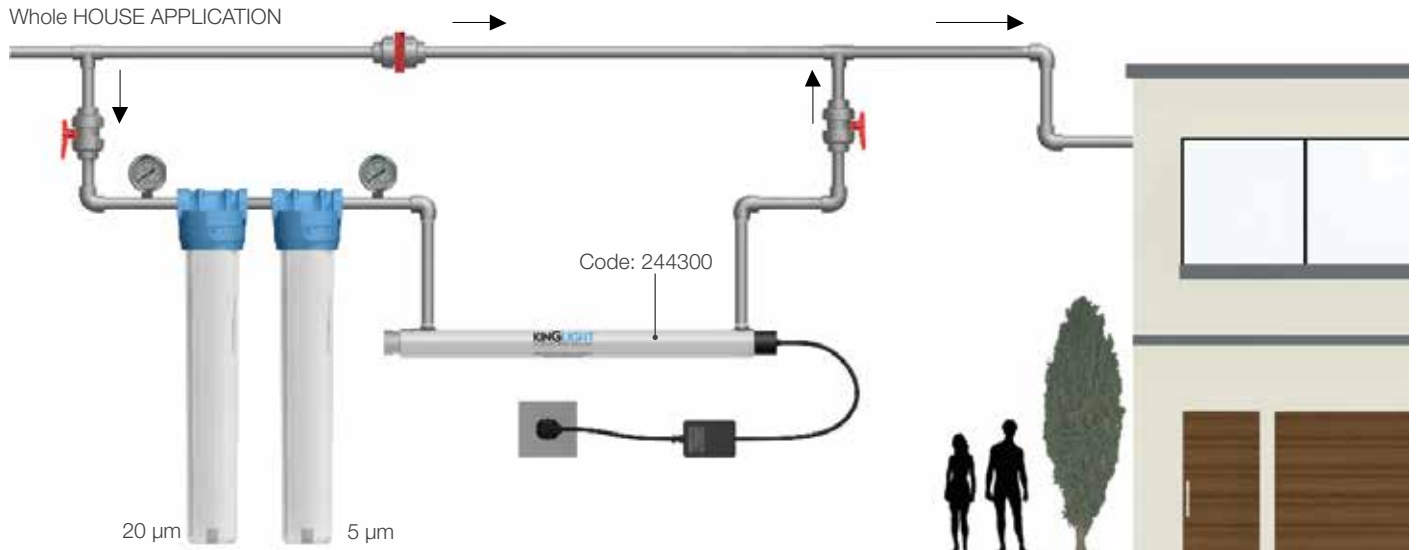
446. General applications
447. Ultraviolet systems

General applications

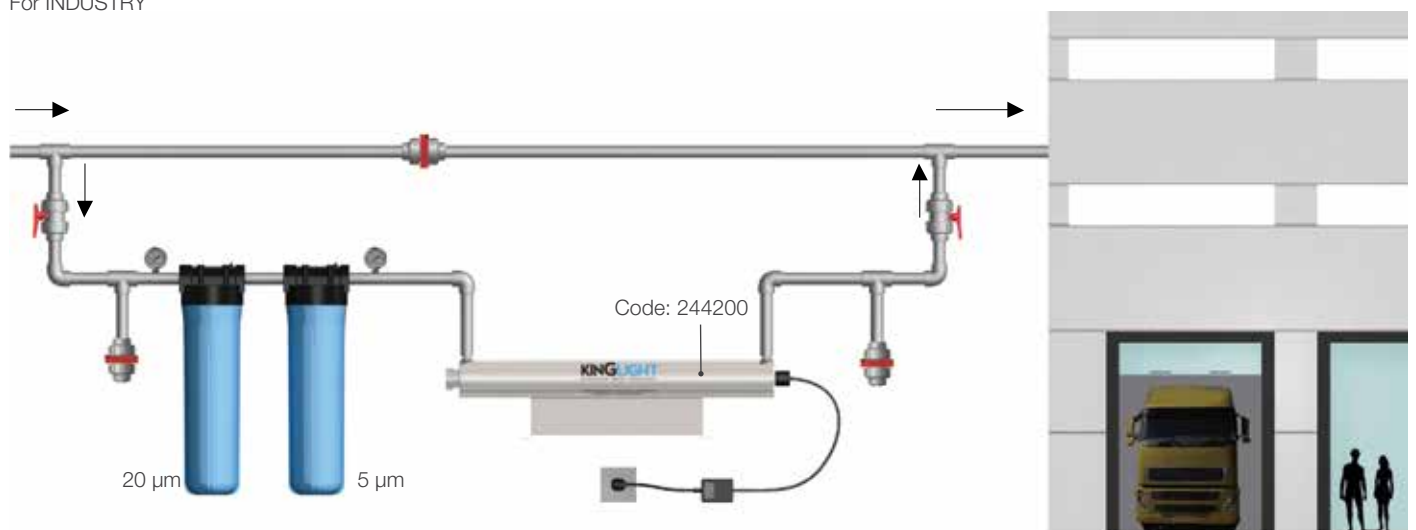
For DOMESTIC REVERSE OSMOSIS systems



Whole HOUSE APPLICATION



For INDUSTRY



Ultraviolet systems

UV0240LH / 1 GPM



| Code | No. of lamps | Power W | Filtered water flow 10 µm | RO water flow | Connection | Max. pressure kg/cm ² | Lamp failure indicator | Lamp life h | Material | Packaging units |
|--------|--------------|------------|------------------------------|------------------------|------------|-------------------------------------|------------------------|----------------|----------|-----------------|
| 243600 | 1 | 6 | 0.12 m ³ /h | 0.24 m ³ /h | 1/4" | 6 | Led | 5000 | SS 304 | 1 |

UV lamp spare part

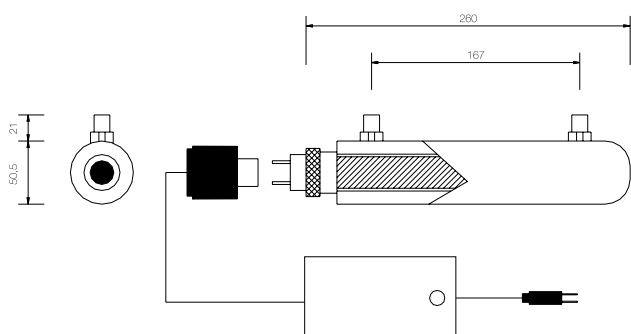
| Code | Power W | Current | Diameter mm | Length mm | Packaging units |
|--------|------------|---------|----------------|--------------|-----------------|
| 244600 | 6 | 150 mA | 15.5 | 212 | 1 |

Q-sleeve spare part

| Code | Diameter mm | Length mm | Packaging units |
|--------|----------------|--------------|-----------------|
| 245100 | 23 | 240 | 1 |

Ballast spare part

| Code | Input voltage | Plug connection | Packaging units |
|--------|---------------|-----------------|-----------------|
| 245601 | 220 - 240 V | C | 1 |



! Power supply: 220 V/50 Hz. To ensure the proper operation and germicidal capacity of the UV systems, inlet water must be filtered at 10-5 µm. Please ask our technical department. Please, ask for other connectors, voltages and power frequencies.

UV0480LH / 2 GPM

KINGLIGHT
Ultraviolet Water System



| Code | No. of lamps | Power W | Filtered water flow 10 µm | RO water flow | Connection | Max. pressure kg/cm ² | Lamp failure indicator | Lamp life h | Material | Packaging units |
|--------|--------------|------------|------------------------------|------------------------|------------|-------------------------------------|------------------------|----------------|----------|-----------------|
| 244000 | 1 | 14 | 0.36 m ³ /h | 0.48 m ³ /h | 1/4" | 8 | Led | 9000 | SS 304 | 1 |

UV lamp spare part

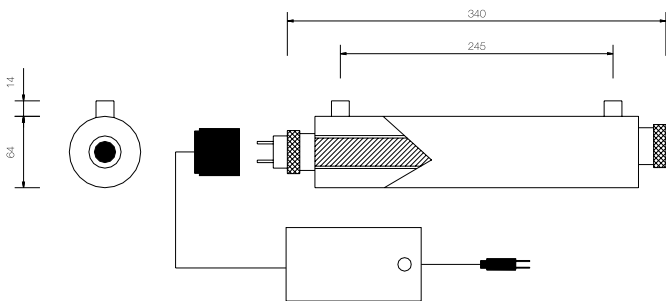
| Code | Power W | Current | Diameter mm | Length mm | Packaging units |
|--------|------------|---------|----------------|--------------|-----------------|
| 244800 | 14 | 425 mA | 15.5 | 287 | 1 |

Q-sleeve spare part

| Code | Diameter mm | Length mm | Packaging units |
|--------|----------------|--------------|-----------------|
| 245200 | 23 | 300 | 1 |

Ballast spare part

| Code | Input voltage | Connection | Packaging units |
|--------|---------------|------------|-----------------|
| 245700 | 220 - 240 V | C | 1 |



! Power supply: 220 V/50 Hz. To ensure the proper operation and germicidal capacity of the UV systems, inlet water must be filtered at 10-5 µm. Please ask our technical department. Please, ask for other connectors, voltages and power frequencies.

UV1200LH / 4 GPM



| Code | No. of lamps | Power W | Filtered water flow 10 µm | RO water flow | Connection | Max. pressure kg/cm ² | Lamp failure indicator | Lamp life h | Material | Packaging units |
|--------|--------------|------------|------------------------------|-----------------------|------------|-------------------------------------|------------------------|----------------|----------|-----------------|
| 244100 | 1 | 24 | 0.96 m ³ /h | 1.2 m ³ /h | 1/2" | 8 | Led/alarm | 9000 | SS 304 | 1 |

UV lamp spare part

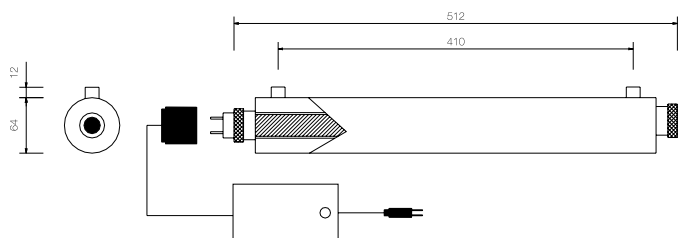
| Code | Power W | Current | Diameter mm | Length mm | Packaging units |
|--------|------------|---------|----------------|--------------|-----------------|
| 244500 | 24 | 425 mA | 15,5 | 450 | 1 |

Q-sleeve spare part

| Code | Diameter mm | Length mm | Packaging units |
|--------|----------------|--------------|-----------------|
| 245500 | 23 | 500 | 1 |

Ballast spare part

| Code | Input voltage | Connection | Packaging units |
|--------|---------------|------------|-----------------|
| 776400 | 220 - 240 V | C | 1 |



! Power supply: 220 V/50 Hz. To ensure the proper operation and germicidal capacity of the UV systems, inlet water must be filtered at 10-5 µm. Please ask our technical department. Please, ask for other connectors, voltages and power frequencies.

UV01700LH / 6 GPM

KINGLIGHT
Ultraviolet Water System



| Code | No. of lamps | Power W | Filtered water flow 10 µm | RO water flow | Connection | Max. pressure kg/cm ² | Lamp failure indicator | Lamp life h | Material | Packaging units |
|--------|--------------|------------|------------------------------|-----------------------|------------|-------------------------------------|------------------------|----------------|----------|-----------------|
| 244300 | 1 | 32 | 1.4 m ³ /h | 1.7 m ³ /h | 1/2" | 8 | Led/alarm | 9000 | SS 304 | 1 |

UV lamp spare part

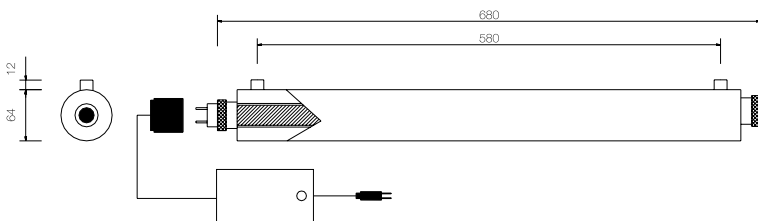
| Code | Power W | Current | Diameter mm | Length mm | Packaging units |
|--------|------------|---------|----------------|--------------|-----------------|
| 244900 | 32 | 425 mA | 15.5 | 645 | 1 |

Q-sleeve spare part

| Code | Diameter mm | Length mm | Packaging units |
|--------|----------------|--------------|-----------------|
| 245300 | 23 | 670 | 1 |

Ballast spare part

| Code | Input voltage | Connection | Packaging units |
|--------|---------------|------------|-----------------|
| 776400 | 220 - 240 V | C | 1 |

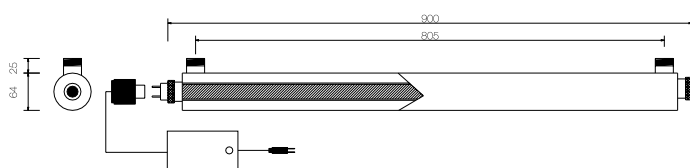


! Power supply: 220 V/50 Hz. To ensure the proper operation and germicidal capacity of the UV systems, inlet water must be filtered at 10-5 µm. Please ask our technical department. Please, ask for other connectors, voltages and power frequencies.

UV3300LH / 12 GPM



| Code | No. of lamps | Power W | Filtered water flow 10 µm | RO water flow | Connection | Max. pressure kg/cm ² | Lamp failure indicator | Lamp life h | Material | Packaging units |
|--------|--------------|------------|------------------------------|-----------------------|------------|-------------------------------------|------------------------|----------------|----------|-----------------|
| 243900 | 1 | 39 | 2.8 m ³ /h | 3.3 m ³ /h | 3/4" | 8 | Led/alarm | 9000 | SS 304 | 1 |

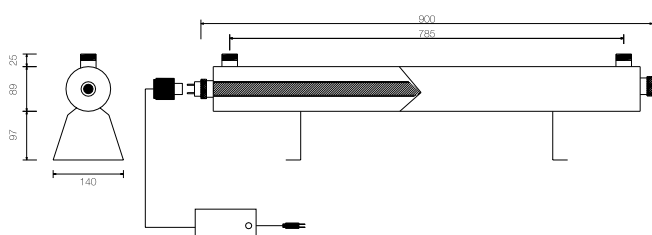


! Power supply: 220 V/50 Hz. UV lamp spare part in page 454.

UVS330LH / 12 GPM



| Code | No. of lamps | Power W | Filtered water flow 10 µm | RO water flow | Connection | Max. pressure kg/cm ² | Lamp failure indicator | Lamp life h | Material | Packaging units |
|--------|--------------|------------|------------------------------|-----------------------|------------|-------------------------------------|------------------------|----------------|----------|-----------------|
| 243700 | 1 | 39 | 2.8 m ³ /h | 3.3 m ³ /h | 3/4" | 8 | Led/alarm | 9000 | SS 304 | 1 |



! Power supply: 220 V/50 Hz. To ensure the proper operation and germicidal capacity of the UV systems, inlet water must be filtered at 10-5 µm. Please ask our technical department. Please, ask for other connectors, voltages and power frequencies. UV lamp spare part in page 454.

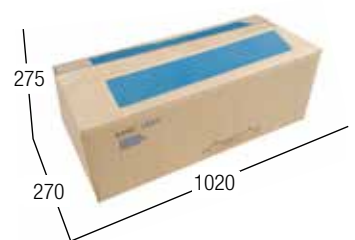
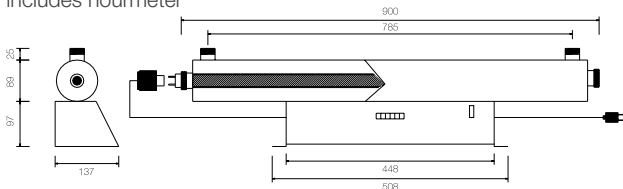
UVP3300LH / 12 GPM

KINGLIGHT
Ultraviolet Water System



| Code | No. of lamps | Power W | Filtered water flow 10 µm | RO water flow | Connection | Maximum pressure kg/cm ² | Lamp failure indicator | Lamp life h | Material | Packaging units |
|--------|--------------|------------|------------------------------|-----------------------|------------|--|------------------------|----------------|----------|-----------------|
| 243800 | 1 | 39 | 2.8 m ³ /h | 3.3 m ³ /h | 3/4" | 8 | Led/alarm | 9000 | SS 304 | 1 |

includes hourmeter



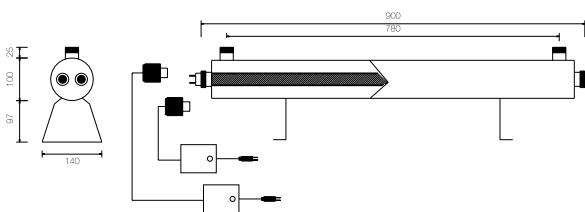
! Power supply: 220 V/50 Hz. UV lamp spare part in page 454.

UVS5800LH / 24 GPM

KINGLIGHT
Ultraviolet Water System



| Code | No. of lamps | Power W | Filtered water flow 10 µm | RO water flow | Connection | Max. pressure kg/cm ² | Lamp failure indicator | Lamp life h | Material | Packaging units |
|--------|--------------|------------|------------------------------|-----------------------|------------|-------------------------------------|------------------------|----------------|----------|-----------------|
| 244400 | 2 | 39 x 2 | 4.8 m ³ /h | 5.8 m ³ /h | 1" | 8 | Led/alarm | 9000 | SS 304 | 1 |



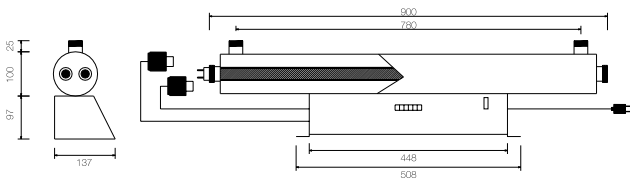
! Power supply: 220 V/50 Hz. To ensure the proper operation and germicidal capacity of the UV systems, inlet water must be filtered at 10-5 µm. Please ask our technical department. Please, ask for other connectors, voltages and power frequencies. UV lamp spare part in page 454.

UVP5800LH / 24 GPM



| Code | No. of lamps | Power W | Filtered water flow 10 µm | RO water flow | Connection | Max. pressure kg/cm ² | Lamp failure indicator | Lamp life h | Material | Packaging units |
|--------|--------------|------------|------------------------------|-----------------------|------------|-------------------------------------|------------------------|----------------|----------|-----------------|
| 244200 | 2 | 39 x 2 | 4.8 m ³ /h | 5.8 m ³ /h | 1" | 8 | Led/alarm | 9000 | SS 304 | 1 |

includes hourmeter

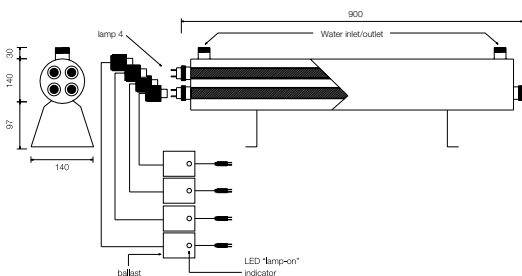


! Power supply: 220 V/50 Hz. UV lamp spare part in page 454.

UV12000LH / 48 GPM



| Code | No. of lamps | Power W | Filtered water flow 10 µm | RO water flow | Connection | Max. pressure kg/cm ² | Lamp failure indicator | Lamp life h | Material | Packaging units |
|--------|--------------|------------|------------------------------|----------------------|------------|-------------------------------------|------------------------|----------------|----------|-----------------|
| 244201 | 4 | 39 | 10 m ³ /h | 12 m ³ /h | 1 1/2" | 8 | Led/alarm | 9000 | SS 304 | 1 |



! Power supply: 220 V/50 Hz. To ensure the proper operation and germicidal capacity of the UV systems, inlet water must be filtered at 10-5 µm. Please ask our technical department. Please, ask for other connectors, voltages and power frequencies. UV lamp spare part in page 454.

Spare parts for systems with 39 W lamp

UV lamp spare part

| Code | Power W | Current | Diameter mm | Length mm | Packaging units |
|--------|------------|---------|----------------|--------------|--------------------|
| 245000 | 39 | 425 mA | 15.5 | 842 | 1 |

Q-sleeve spare part

| Code | Diameter mm | Length mm | Packaging units |
|--------|----------------|--------------|--------------------|
| 245400 | 23 | 895 | 1 |

Ballast spare part

| Code | Input voltage | Connection | Packaging units |
|--------|------------------|------------|--------------------|
| 776400 | 220 - 240 V | C | 1 |

UVP4000LH / 18 GPM



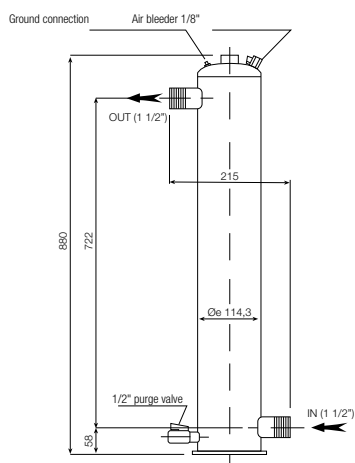
| Code | No. of lamps | Power W | Filtered water flow 10 µm m³/h | Hour-meter | Connection M | Max. pressure kg/cm² | Lamp failure indicator | Lamp life h | Material | Packaging units |
|--------|--------------|------------|--------------------------------------|------------|-----------------|-------------------------|------------------------|----------------|----------|-----------------|
| 739501 | 1 | 40 | 4 | Yes | 1 1/2" | 9 | Yes | 9000 | SS 316 | 1 |

UV lamp spare part

| Code | Power W | Input voltage | Diameter mm | Height mm | Packaging units |
|--------|------------|---------------|----------------|--------------|-----------------|
| 245001 | 40 | 220 - 240 V | 11.4 | 880 | 1 |

Q-sleeve spare part

| Code | Packaging units |
|--------|-----------------|
| 245401 | 1 |



! Power supply: 220 V/50 Hz. To ensure the proper operation and germicidal capacity of the UV systems, inlet water must be filtered at 10-5 µm. Please ask our technical department. Please, ask for other connectors, voltages and power frequencies.

UVP7000LH / 31 GPM



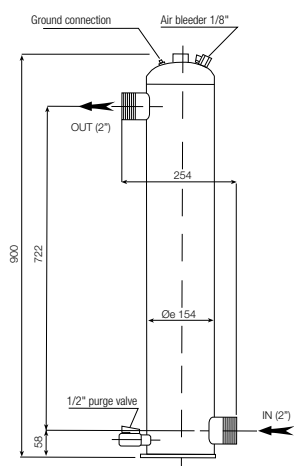
| Code | No. of lamps | Power W | Filtered water flow 10 µm | Hour-meter | Connection M | Max. pressure kg/cm ² | Lamp failure indicator | Lamp life h | Material | Packaging units |
|--------|--------------|------------|------------------------------|------------|-----------------|-------------------------------------|------------------------|----------------|----------|-----------------|
| 739502 | 1 | 40 | 7 m ³ /h | Yes | 2" | 9 | Yes | 9000 | SS 316 | 1 |

UV lamp spare part

| Code | Power W | Input voltage | Diameter mm | Height mm | Packaging units |
|--------|------------|---------------|----------------|--------------|-----------------|
| 245001 | 40 | 220 - 240 V | 15.4 | 900 | 1 |

Q-sleeve spare part

| Code | Diameter mm | Height mm | Packaging units |
|--------|----------------|--------------|-----------------|
| 245401 | 23 | 670 | 1 |



! Power supply: 220 V/50 Hz. To ensure the proper operation and germicidal capacity of the UV systems, inlet water must be filtered at 10-5 µm. Please ask our technical department. Please, ask for other connectors, voltages and power frequencies.

UVP15000LH / 66 GPM



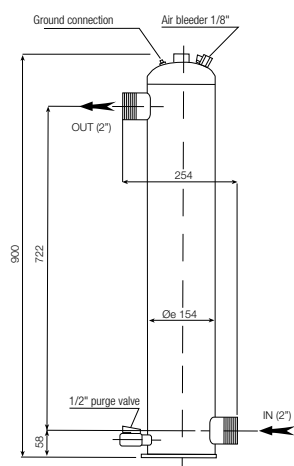
| Code | No. of lamps | Power W | Filtered water flow 10 µm | Connection M | Max. pressure kg/cm ² | Lamp failure indicator | Lamp life h | Material | Packaging units |
|--------|--------------|------------|------------------------------|-----------------|-------------------------------------|------------------------|----------------|----------|-----------------|
| 739503 | 1 | 80 | 15 m ³ /h | 2" | 9 | Yes | 9000 | SS 316 | 1 |

UV lamp spare part

| Code | Power W | Input voltage | Diameter mm | Height mm | Packaging units |
|--------|------------|---------------|----------------|--------------|-----------------|
| 245002 | 80 | 220 - 240 V | 15.4 | 900 | 1 |

Q-sleeve spare part

| Code | Diameter mm | Height mm | Packaging units |
|--------|----------------|--------------|-----------------|
| 245401 | 23 | 670 | 1 |



! Power supply: 220 V/50 Hz. To ensure the proper operation and germicidal capacity of the UV systems, inlet water must be filtered at 10-5 µm. Please ask our technical department. Please, ask for other connectors, voltages and power frequencies.

UVP18000LH / 80 GPM



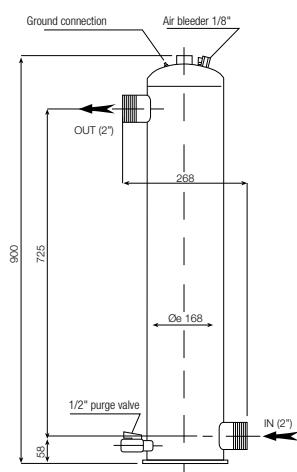
| Code | No. of lamps | Power W | Filtered water flow 10 µm | Connection M | Max. pressure kg/cm ² | Lamp failure indicator | Lamp life h | Material | Packaging units |
|--------|--------------|------------|------------------------------|-----------------|-------------------------------------|------------------------|----------------|----------|-----------------|
| 739504 | 1 | 80 | 18 m ³ /h | 2" | 9 | Yes | 9000 | SS 316 | 1 |

UV lamp spare part

| Code | Power W | Input voltage | Diameter mm | Height mm | Packaging units |
|--------|------------|---------------|----------------|--------------|-----------------|
| 245002 | 80 | 220 - 240 V | 16.8 | 900 | 1 |

Q-sleeve spare part

| Code | Diameter mm | Height mm | Packaging units |
|--------|----------------|--------------|-----------------|
| 245401 | 23 | 670 | 1 |



! Power supply: 220 V/50 Hz. To ensure the proper operation and germicidal capacity of the UV systems, inlet water must be filtered at 10-5 µm. Please ask our technical department. Please, ask for other connectors, voltages and power frequencies.

UVP35000LH / 154 GPM



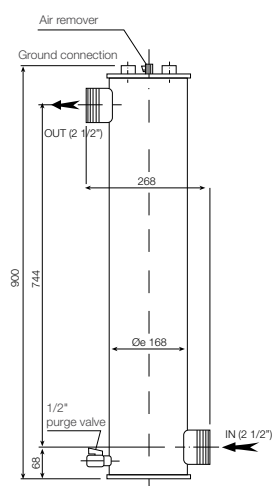
| Code | No. of lamps | Power W | Filtered water flow 10 µm m³/h | Connection M | Max. pressure kg/cm² | Lamp failure indicator | Lamp life h | Material | Packaging units |
|--------|--------------|------------|--------------------------------------|-----------------|-------------------------|------------------------|----------------|----------|-----------------|
| 739500 | 2 | 160 | 35 m³/h | 2 1/2" | 9 | Yes | 9000 | SS 316 | 1 |

UV lamp spare part

| Code | Power W | Input voltage | Diameter mm | Height mm | Packaging units |
|--------|------------|---------------|----------------|--------------|-----------------|
| 245002 | 80 | 220 - 240 V | 16.8 | 900 | 1 |

Q-sleeve spare part

| Code | Diameter mm | Height mm | Packaging units |
|--------|----------------|--------------|-----------------|
| 245401 | 23 | 670 | 1 |



! Power supply: 220 V/50 Hz. To ensure the proper operation and germicidal capacity of the UV systems, inlet water must be filtered at 10-5 µm. Please ask our technical department. Please, ask for other connectors, voltages and power frequencies.