



05.

Water Treatment Components

124. Greentank
130. Valves
140. Components
149. Spare parts

Greentank

Bottles for filtration and water softening



Greentank®

PURICOM presents its brand new GREENTANK bottle range. It is composed of a wide variety of models, which can be adapted to the majority of applications in the domestic, commercial and industrial sectors.

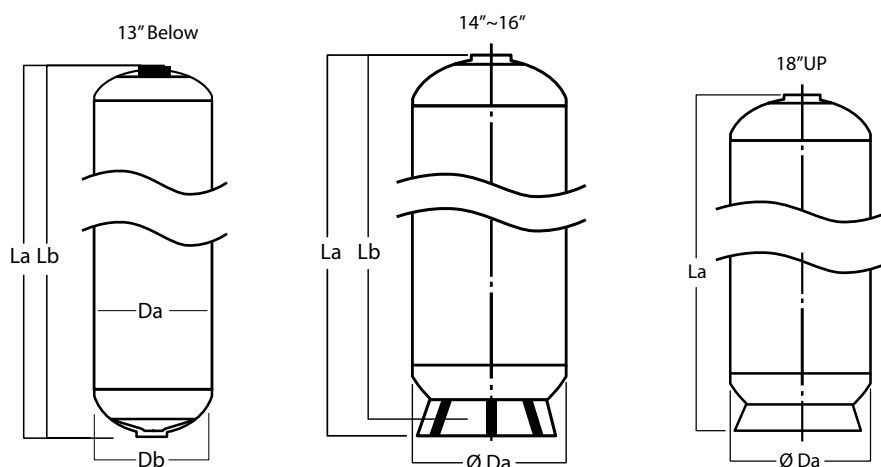
Specifications

Max. working pressure:
10.5 bars.
Working temperature: 1-50 °C
Max. vacuum: 140 mmHg.
Min. exposure temperature:
-30 °C.

Fulfilled tests

Cycle test: 250,000 cycles
from 0 to 10.5 bars.
Burst test: 4 times the
operating pressure (42 bars).

Bottles for filtration and water softening

Greentank®


Code	Bottle model	Total volume		Weight		Upper threads	Lower threads	Base	La	Lb	Da	Db
		L	Cu.ft	WO base	W base							
321001	05 x 17	3.81	0.13	1.13	1.2	2.5"-8-NPSM	N/A	Standard	424	424	122	129
321002	05 x 20	4.5	0.16	1.38	1.45	2.5"-8-NPSM	N/A	Standard	515	515	122	129
340010	06 x 13	4.6	0.16	1.11	1.27	2.5"-8-NPSM	N/A	Standard	336	331	155	164.5
340011	06 x 17	6.3	0.22	1.38	1.54	2.5"-8-NPSM	N/A	Standard	437	432	155	164.5
340012	06 x 18	6.8	0.24	1.51	1.67	2.5"-8-NPSM	N/A	Standard	463	458	155	164.5
340013	06 x 22	8.5	0.3	1.9	2.06	2.5"-8-NPSM	N/A	Standard	567	532	155	164.5
340014	06 x 35	14.1	0.5	2.77	2.93	2.5"-8-NPSM	N/A	Standard	896	891	155	164.5
321003	07 x 13	6.3	0.22	1.2	1.47	2.5"-8-NPSM	N/A	Standard	335	331	181	190
321004	07 x 17	8.5	0.3	1.45	1.73	2.5"-8-NPSM	N/A	Standard	437	432	181	190
321005	07 x 19	9.72	0.34	1.85	2.12	2.5"-8-NPSM	N/A	Standard	488	484	182	190
321006	07 x 22	11.4	0.4	2.2	2.47	2.5"-8-NPSM	N/A	Standard	566	562	182	190
321007	07 x 30	15.8	0.56	2.4	2.67	2.5"-8-NPSM	N/A	Standard	768	763	182	190
320800	07 x 35	19.1	0.67	2.68	2.95	2.5"-8-NPSM	N/A	Standard	896	891	181	190
321008	07 x 44	24.3	0.86	3.4	3.67	2.5"-8-NPSM	N/A	Standard	1123	1118	181	190
340015	08 x 13	7.4	0.26	1.25	1.6	2.5"-8-NPSM	N/A	Standard	325	320	205	215
321009	08 x 15	9.3	0.33	1.48	1.83	2.5"-8-NPSM	N/A	Standard	385	381	205	215
320900	08 x 17	10.5	0.37	1.95	2.3	2.5"-8-NPSM	N/A	Standard	437	432	205	215
321010	08 x 18	11.5	0.41	2.2	2.55	2.5"-8-NPSM	N/A	Standard	462	458	205	215
340016	08 x 22	14.4	0.51	2.6	2.95	2.5"-8-NPSM	N/A	Standard	555	550	205	215
321011	08 x 24	16.6	0.59	2.59	2.94	2.5"-8-NPSM	N/A	Standard	615	610	205	215
321012	08 x 26	18.1	0.64	2.8	3.15	2.5"-8-NPSM	N/A	Standard	665	661	205	215
321013	08 x 30	21	0.74	3.3	3.65	2.5"-8-NPSM	N/A	Standard	770	765	205	215
321000	08 x 35	23.6	0.83	3.7	4.05	2.5"-8-NPSM	N/A	Standard	897	891	205	215
321100	08 x 44	31.3	1.11	4.1	4.45	2.5"-8-NPSM	N/A	Standard	1122	1118	205	215
340017	09 x 13	9.8	0.35	1.65	2.21	2.5"-8-NPSM	N/A	Standard	336	331	232	242
340018	09 x 15	11.8	0.42	1.89	2.45	2.5"-8-NPSM	N/A	Standard	388	381	232	242
340019	09 x 17	14	0.49	2.2	2.76	2.5"-8-NPSM	N/A	Standard	439	432	232	242
340020	09 x 18	14.8	0.52	2.4	2.96	2.5"-8-NPSM	N/A	Standard	465	458	232	242
340021	09 x 24	20.5	0.72	3.2	3.76	2.5"-8-NPSM	N/A	Standard	615	610	232	242

! Ask for the available models in stock.

Bottles for filtration and water softening

Greentank®

Code	Bottle model	Total volume		Weight		Upper threads	Lower threads	Base	La	Lb	Da	Db
		L	Cu.ft	WO base	W base							
340022	09 x 26	22.4	0.79	3.43	3.99	2.5"-8-NPSM	N/A	Standard	665	660	232	242
340023	09 x 30	26.3	0.93	3.94	4.5	2.5"-8-NPSM	N/A	Standard	770	765	232	242
321015	09 x 35	31.6	1.12	4.1	4.66	2.5"-8-NPSM	N/A	Standard	898	891	232	242
321016	09 x 42	38.5	1.36	4.62	5.18	2.5"-8-NPSM	N/A	Standard	1122	1067	232	242
321017	09 x 48	44.6	1.58	5.3	5.86	2.5"-8-NPSM	N/A	Standard	898	1221	232	242
340024	10 x 13	12.1	0.43	1.5	2.09	2.5"-8-NPSM	N/A	Standard	336	331	258	268
321018	10 x 15	14	0.49	1.98	2.57	2.5"-8-NPSM	N/A	Standard	384	381	255	268
321019	10 x 17	16.5	0.58	2.45	3.04	2.5"-8-NPSM	N/A	Standard	434	431	255	268
340025	10 x 17D	17	0.6	2.78	N/A	2.5"-8-NPSM	N/A	N/A	N/A	432	258	N/A
321201	10 x 24	24.8	0.88	3.3	3.89	2.5"-8-NPSM	N/A	Standard	609	606	258	268
321202	10 x 26	27.33	0.97	3.49	4.08	2.5"-8-NPSM	N/A	Standard	664	661	258	268
321203	10 x 30	32.28	1.14	4.1	4.69	2.5"-8-NPSM	N/A	Standard	765	763	258	268
321200	10 x 35	38.3	1.35	4.34	4.93	2.5"-8-NPSM	N/A	Standard	893	891	255	268
340026	10 x 35D	38.3	1.35	4.3	N/A	2.5"-8-NPSM	N/A	N/A	N/A	891	258	N/A
321020	10 x 40	44.65	1.58	5.05	5.64	2.5"-8-NPSM	N/A	Standard	1022	1020	258	268
321701	10 x 44	48.8	1.72	5.6	6.19	2.5"-8-NPSM		Standard	1121	1118	255	268
321021	10 x 47	53.2	1.88	5.95	6.54	2.5"-8-NPSM	N/A	Standard	1198	1195	258	268
321300	10 x 54	61	2.16	7.1	7.69	2.5"-8-NPSM	N/A	Standard	1381	1378	255	268
321023	11 x 35	46.7	1.65	4.95	5.77	2.5"-8-NPSM	N/A	Standard	903	891	283	295
321022	11 x 44	59.8	2.11	6.06	6.88	2.5"-8-NPSM	N/A	Standard	1130	1118	283	295
340027	12 x 17	23.6	0.83	2.88	3.92	2.5"-8-NPSM	N/A	Standard	448	434	307	315
340028	12 x 17	23.6	0.83	2.97	4.04	4"-8-NPSM	N/A	Standard	446	432	307	315
321400	12 x 48	78.54	2.78	7.05	8.05	2.5"-8-NPSM	N/A	Standard	1232	1218	307	315
321500	12 x 52	84.7	2.99	7.59	8.63	2.5"-8-NPSM	N/A	Standard	1338	1324	307	315
321600	13 x 44	84.8	3	7.2	8.28	2.5"-8-NPSM	N/A	Standard	1145	1131	335	349
321700	13 x 54	105.7	3.73	9.52	10.6	2.5"-8-NPSM	N/A	Standard	1398	1384	335	349
321703	13 x 54	105.7	3.73	9.52	10.6	4"-8-NPSM	N/A	Standard	1398	1384	335	349
321024	14 x 52	115	4.06	10.08	10.9	4"-8-NPSM	N/A	Standard	1344	1294	366	-
340029	14 x 52	115	4.06	10.08	10.9	2.5"-8-NPSM	N/A	Standard	1344	1294	366	-
321800	14 x 65	148	5.23	13.98	14.8	4"-8-NPSM	N/A	Standard	1674	1624	366	-
321026	16 x 24	56.98	2.01	5.85	6.67	4"-8-NPSM	N/A	Standard	624	572	411	-
340030	16 x 24	56.98	2.01	5.85	6.67	2.5"-8-NPSM	N/A	Standard	624	572	411	-
321027	16 x 36	98.1	3.47	10.5	11.32	4"-8-NPSM	N/A	Standard	968	918	411	-
340031	16 x 36	98.1	3.47	5.85	11.32	2.5"-8-NPSM	N/A	Standard	968	918	411	-
321028	16 x 44	131.6	4.65	12.7	13.5	4"-8-NPSM	N/A	Standard	1240	1192	411	-
340032	16 x 44	131.6	4.65	12.7	13.5	2.5"-8-NPSM	N/A	Standard	1240	1192	411	-
321029	16 x 52	148.3	5.24	15.6	16.42	4"-8-NPSM	N/A	Standard	1377	1327	411	-
340033	16 x 52	148.3	5.24	15.6	16.42	2.5"-8-NPSM	N/A	Standard	1377	1327	411	-
321900	16 x 65	188.6	6.66	18.65	19.47	4"-8-NPSM	N/A	Standard	1706	1656	411	-
340034	16 x 65	188.6	6.66	18.65	19.47	2.5"-8-NPSM	N/A	Standard	1706	1656	411	-

! Ask for the available models in stock.

Bottles for filtration and water softening



Code	Bottle model	Total volume		Weight		Upper threads	Lower threads	Base	La	Lb	Da	Db
		L	Cu.ft	WO base	W base							
321900	16 x 65	188.6	6.66	18.65	21.75	4"-8-NPSM	N/A	FRP St	1671	1655	411	-
321030	18 x 36	138	4.88	17.2	19.4	4"-8-NPSM	N/A	Standard	1000	939	491	-
321031	18 x 53	211	7.46	22.6	24.8	4"-8-NPSM	N/A	Standard	1432	1371	491	-
322000	18 x 65	257	9.08	25.9	28.1	4"-8-NPSM	N/A	Standard	1722	1661	491	-
340035	18x65D	257	9.08	-	33	4"-8-NPSM	4"-8-NPSM	Tripod	2027	-	491	-
321032	21 x 36	164	5.8	20.2	23.5	4"-8-NPSM	N/A	Standard	1002	956	555	-
321033	21 x 53	253	8.94	26.8	30.1	4"-8-NPSM	N/A	Standard	1434	1388	555	-
322201	21 x 62	330	11.66	29.5	32.8	4"-8-NPSM	N/A	Standard	1721	1675	555	-
321034	21 x 62D	330	11.66	-	40	4"-8-NPSM	4"-8-NPSM	Tripod	2064	-	555	-
340036	24 x 38	216	7.63	-	22	4"-8-NPSM	N/A	FRP St	1036	-	624	-
322801	24 x 72	494	17.46	40	44.1	4"-8-NPSM	N/A	Standard	1918	1875	622	-
324706	24 x 72D	494	17.46	-	48	4"-8-NPSM	4"-8-NPSM	Tripod	2168	-	611	-
340037	30 x 72	720	25.44	-	-	4"-8-NPSM	4"-8-NPSM	Tripod	2140	-	781	-
323201	30 x 72	717	25.34	-	-	6-FLG	N/A	FRP St	1895	-	781	-
324702	30 x 72	717	25.34	-	70	6-FLG	6-FLG	Tripod	2200	-	781	-
340038	36 x 72	1023	36.15	-	-	4"-8-NPSM	4"-8-NPSM	Tripod	2150	-	932	-
323401	36 x 72	1023	36.15	-	-	6-FLG	N/A	FRP St	1920	-	932	-
324703	36 x 72	1023	36.15	-	87	6-FLG	6-FLG	Tripod	2210	-	932	-
324704	42 x 72	1530	54.06	-	-	6-FLG	6-FLG	Tripod	2395	-	1090	-
324701	48 x 72	1950	68.9	-	-	6-FLG	6-FLG	Tripod	2400	-	1235	-
340039	63 x 67	2600	91.87	-	300	-	-	-	2050	-	1635	-
340040	63 x 86	3310	116.96	-	365	-	-	-	2475	-	1635	-

! Ask for the available models in stock.

Internal distributors



Code	Description	WS valves 1"	WS650 1 1/2"	WS655 1 1/2"	Fleck 1"	Fleck 1 1/2"	Fleck 2"	Autotrol-GE 1"	Magnum-GE 2"	Packaging units
		*	*	*	*	*	*	*	*	
576800	1.05" Top distributor	*	*		*			*		1
576503	1.05" Bottom distributor - 35"	*	*		*			*		1
576502	1.05" Bottom distributor - 54"	*	*		*			*		1
576900	2" Top distributor			*		*	*			1
576700	2" Bottom distributor - 1820 mm			*		*	*			1
576801	1.05" Standard Fleck top distributor	*	*		*			*		1
576500	1.05" Standard Fleck bottom distributor - 1950 mm	*	*		*			*		1
576600	1.05" Standard Fleck bottom distributor - 1100 mm	*	*		*			*		1
750449	1.05" Standard GE top distributor	*	*		*			*		1
750450	1.05" Standard GE bottom distributor - 1520 mm	*	*		*			*		1
740512	1.05" Standard GE bottom distributor - 1820 mm	*	*		*			*		1
740509	2" Standard GE top distributor								*	1
740508	2" Standard GE bottom distributor								*	1

Reductions and adaptors

Code	Model	Packaging units
340200	Threaded reduction 4" - 2 1/2"	1
340100	Threaded reduction 6" - 4"	1

Brine valves



Code	Description	Model	Tank	Length	L	mm	WS valve 1"	WS650 1 1/4"	WS655 1 1/2"	Fleck 1"	Fleck 1 1/2"	Fleck 2"	Autotrol-GE 1"	Autotrol-GE 2"	Packaging units
							*	*	*	*	*	*	*	*	
900502	3/8" safety brine valve without float	12.5	17"	345			*			*			*		1
900503	3/8" safety brine valve without float	30/18	35"	725			*			*			*		1
900504	3/8" safety brine valve without float			790			*			*			*		1
900505	3/8" safety brine valve with float		44"	1167			*			*			*		1
799622	3/8" safety brine valve with float	12.5	17"	345			*			*			*		1
799621	3/8" safety brine valve with float	12	22"	524.5			*			*			*		1
900501	3/8" safety brine valve with float	15	35"	764			*			*			*		1
750458	3/8" safety brine valve with float	30/18	35"	725			*			*			*		1
799620	3/8" safety brine valve with float	6	13"	288.5			*			*			*		1
750473	3/8" safety brine valve with float			900				*	*		*	*			1
768900	1/2" safety brine valve without float			900				*	*					*	1
740507	1/2" safety brine valve without float							*	*				*		1

Brine wells



Code	Description	Diameter mm	Length mm	Packaging units
960013	Brine well 17"	90	370	1
960014	Brine well 26"	90	511	1
796401	Brine well 35"	90	750	1
960015	Brine well 44"	90	938	1
960043	Brine well 44"	90	1114	1

WS470-UF (Up flow) Commercial and household softeners



Description

High performance multi-way valve specially designed for up flow ion exchange applications, as well as for household and commercial use. High performance electronic programmer with a multicolour display. Compact and functional design. User-friendly and intuitive electronic programmer. Made of heavy-duty Noryl. Standard isolation by-pass. Built-in residual hardness mixer. Different types of connections available. It allows different types of regenerations: metered, chronometric, delayed, immediate or mixed. Water-meter for treated water.

Regeneration is fully configurable. Regeneration stages can be cancelled. Kit for the shut-off electrovalve control (optional)

Specifications

Max. service flow: 3 m³/h.
Max. flow for backwash: 1.5 m³/h.
Max. resin volume: 150 L.
Filter for bottles up to: 12".
Connection diameter: 1".
Min. pressure: 2.5 bar.
Max. pressure: 6 bar.
Working temperature: 4 - 35 °C.
Power supply 220 V - 12 V (transformer included)



Horizontal piston

Less space is required thanks to its exclusive configuration and desing.



Configurable units

The user can choose to have units either in the metric or the American system.



Mixing valve

It includes a mixing valve to adjust the residual hardness.



Operation at 12 V

Less noise, safer and more stable operation.



LCD display

Easy and intuitive operation. High resolution.



Multilingual

The user can choose among several languages.



Manual regeneration

Regenerations can be started manually.



Multi-function

Regenerations by time, instant volume, delayed volume and override. The length of all stages can be adjusted.



Up flow

Up flow regenerations. Less salt and water consumption.

Code	Model	Max. flow m ³ /h	Connection	Use	Packaging units
960031	WSDE470-UF	3.5	1"	Water softening	1

WS460-DN (Down flow)



Description

High performance multi-way valve specially designed for down flow ion exchange applications, as well as for household and commercial use. Compact and functional design. User-friendly and intuitive electronic programmer.

Made of heavy-duty Noryl.

Standard isolation by-pass.

Built-in residual hardness mixer.

Different types of connections available.

It allows different types of regenerations: metered, chronometric, delayed, immediate or mixed.

Water-meter for treated water.

Regeneration is fully configurable.

Regeneration stages can be cancelled. Kit for the shut-off electrovalve control (optional)

Specifications

Max. service flow: 3 m³/h.

Max. flow for backwash: 1.5 m³/h.

Max. resin volume: 150 L.

Filter for bottles up to: 12".

Connection diameter: 1".

Min. pressure: 2.5 bar.

Max. pressure: 6 bar.

Working temperature: 4 - 35 °C.

Power supply 220 V - 12 V (transformer included)



Horizontal piston

Less space is required thanks to its exclusive configuration and design.



Configurable units

The user can choose to have units either in the metric or the American system.



Mixing valve

It includes a mixing valve to adjust the residual hardness.



Operation at 12 V

Less noise, safer and more stable operation.



LCD display

Easy and intuitive operation. High resolution.



Multilingual

The user can choose among several languages.



Manual regeneration

Regenerations can be started manually.



Multi-function

Regenerations by time, instant volume, delayed volume and override. The length of all stages can be adjusted.

Code	Model	Max. flow m ³ /h	Connection	Use	Packaging units
960033	WSDE460-DN	3.5	1"	Water softening	1

WS180D Compact softeners



Description

High performance multi-way valve specially designed for compact softeners. Compact and functional design. User-friendly and intuitive electronic programmer.
 Made of heavy-duty Noryl.
 Standard isolation by-pass.
 Built-in residual hardness mixer.
 Different types of connections available.
 It allows different types of regenerations: metered, chronometric, delayed, immediate or override.
 Water-meter for treated water.
 Regeneration is fully configurable.
 Regeneration stages can be cancelled.

Specifications

Max. service flow: 3 m³/h.
 Max. flow for backwash: 1.5 m³/h.
 Max. resin volume: 75 L.
 Connection diameter: 1".
 Threaded connection: 2 1/2".
 Min. pressure: 2.5 bar.
 Max. pressure: 8 bar.
 Working temperature: 4 - 35 °C.
 Power supply 220 V - 12 V (transformer included)



Horizontal piston

Less space is required thanks to its exclusive configuration and design.



Configurable units

The user can choose to have units either in the metric or the American system.



Mixing valve

It includes a mixing valve to adjust the residual hardness.



Operation at 12 V

Less noise, safer and more stable operation.



LCD display

Easy and intuitive operation. High resolution.



Multilingual

The user can choose among several languages.



Manual regeneration

Regenerations can be started manually.



Multi-function

Regenerations by time, instant volume, delayed volume and override. The length of all stages can be adjusted.

Code	Model	Max. flow m ³ /h	Connection	Use	Packaging units
799626	WS180D	3	1"	Water softening	1

Valve for filter (sand, anthracite, activated carbon) WS460-F



Description

Automatic valve for filters equipped with an electronic programmer.
Made of heavy-duty noryl and controlled by an horizontal piston.

Specifications

Max. flow: 3.5 m³/h.
Operation through horizontal piston.
Sample collection allowed.
Several connection diameters available using locking clips.
Chronometric regenerations.
Regeneration stages can be completely configured.
Display in Spanish, English and French.

Stepwise regeneration.
Regeneration stages can be cancelled.
Includes a battery for dynamic memory.
Date type: DD/MM/YYYY.
Working voltage: 12 VAC with transformer according to voltage.



Horizontal piston

Less space is required thanks to its exclusive configuration and desing.



Configurable units

The user can choose to have units either in the metric or the American system.



Mixing valve

It includes a mixing valve to adjust the residual hardness.



Operation at 12 V

Less noise, safer and more stable operation.



LCD display

Easy and intuitive operation. High resolution.



Multilingual

The user can choose among several languages.



Manual cleanings

Washing processes can be started manually.



Multi-function

Regenerations by time, instant volume, delayed volume and override. The length of all stages can be adjusted.

Code	Model	Max. flow m ³ /h	Connection	Use	Packaging units
960032	WS460F	3.5	1"	Filtration	1

WS650-S Commercial softening



Description

High performance multi-way valve specially designed for ion exchange applications, as well as for household and commercial use. Compact and functional design. High performance electronic programmer with a multicolour display.

Made of heavy-duty Noryl and controlled through a horizontal piston.

It allows different types of regenerations: metered, chronometric, delayed, immediate or override.

Water-meter for treated water.

Regeneration is fully configurable.

Regeneration stages can be cancelled.

Specifications

Max. service flow: 4.5 m³/h.

Max. flow for backwash: 3.5 m³/h.

Max. resin volume: 250 L.

Connection diameter: 1 1/4"

Bottle connection: 2 1/2".

Min. pressure: 2.5 bar.

Max. pressure: 8.5 bar.

Working temperature: 4 - 35 °C.

Power supply 220 V - 12 V (transformer included)



High flow

Max. service: 4.5 m³/hour.

Max. backwash: 3.5 m³/hour.

Water softener up to: 250 L.



Wide variety of connectors.



Smart holiday mode

It keeps the filtration media in good condition during the holidays.



Water resistant

Wide variety of possible installations.



Single joint and separator system.



Smart calculation of regenerations.



Quick connection

Fast installation and easy maintenance.



Visual interface.

Code	Model	Max. flow m ³ /h	Connection	Use	Packaging units
960005	WS650-S	4.5	1 1/4"	Water softening	1

WS650-F Commercial filtration



Description

High performance multi-way valve specially designed for filtration applications, as well as for household and commercial use. Compact and functional design. High performance electronic programmer with a multicolour display. Made of heavy-duty Noryl and controlled through a horizontal piston. It allows different types of regenerations: metered, chronometric, delayed, immediate or override. Water-meter for treated water. Regeneration is fully configurable. Regeneration stages can be cancelled.

Specifications

Max. flow: 4.5 m³/h.
Max. flow for backwash: 3.5 m³/h.
Filter for bottles up to: 13".
Connection diameter: 1 1/4"
Bottle connection: 2 1/2".
Min. pressure: 2.5 bar.
Max. pressure: 8.5 bar.
Working temperature: 4 - 35 °C.
Power supply 220 V - 12 V (transformer included)



High flow

Max. service: 4.5 m³/hour.
Max. backwash: 3.5 m³/hour.
Water softener up to: 13".



Wide variety of connectors.



Smart holiday mode

It keeps the filtration media in good condition during the holidays.



Water resistant

Wide variety of possible installations.



Single joint and separator system.



Smart calculation of regenerations.



Quick connection

Fast installation and easy maintenance.



Visual interface.

Code	Model	Max. flow m ³ /h	Connection	Use	Packaging units
960017	WS650-F	4.5	1 1/4"	Filtration	1

WS655-S Industrial softening



Description

High performance multi-way valve specially designed for ion exchange applications, as well as for household and commercial use. Compact and functional design. High performance electronic programmer with a multicolour display.

Made of heavy-duty Noryl and controlled through a horizontal piston.

It allows different types of regenerations: metered, chronometric, delayed, immediate or override.

Water-meter for treated water.

Regeneration is fully configurable.

Regeneration stages can be cancelled.

Specifications

Max. service flow: 10 m³/h.

Max. flow for backwash: 9 m³/h.

Max. resin volume: 650 L.

Connection diameter: 1 1/2"

Bottle connection: 4".

Min. pressure: 2.5 bar.

Max. pressure: 8.5 bar.

Working temperature: 4 - 35 °C.

Power supply 220 V - 12 V (transformer included)



High flow

Max. service: 10 m³/h.

Max. backwash: 9 m³/h.

Water softener up to: 600 L.



Wide variety of connectors.



Smart holiday mode

It keeps the filtration media in good condition during the holidays.



Water resistant

Wide variety of possible installations.



Single joint and separator system.



Smart calculation of regenerations.



Quick connection

Fast installation and easy maintenance.



Visual interface.

Code	Model	Max. flow m ³ /h	Connection	Use	Packaging units
960024	WS655-S	10	1 1/2"	Water softening	1

WS655-F Industrial filtration



Description

High performance multi-way valve specially designed for filtration applications, as well as for household and commercial use. Compact and functional design. High performance electronic programmer with a multicolour display. Made of heavy-duty Noryl and controlled through a horizontal piston. It allows different types of regenerations: metered, chronometric, delayed, immediate or override. Water-meter for treated water. Regeneration is fully configurable. Regeneration stages can be cancelled.

Specifications

Max. flow: 10 m³/h.
 Max. flow for backwash: 9 m³/h.
 Filter for bottles up to: 21".
 Connection diameter: 1 1/2"
Bottle connection: 4".
 Min. pressure: 2.5 bar.
 Max. pressure: 8.5 bar.
 Working temperature: 4 - 35 °C.
 Power supply 220 V - 12 V (transformer included)



High flow

Max. service: 10 m³/hour.
 Max. backwash: 9 m³/hour.
 Water softener up to: 21".



Wide variety of connectors.



Smart holiday mode

It keeps the filtration media in good condition during the holidays.



Water resistant

Wide variety of possible installations.



Single joint and separator system.



Smart calculation of regenerations.



Quick connection

Fast installation and easy maintenance.



Visual interface.

Code	Model	Max. flow m ³ /h	Connection	Use	Packaging units
960023	WS655-F	10	1 1/2"	Filtration	1

Multi-tank systems controller



Description

Puricom Europe proudly presents a new range of advanced electronic timers that will shake up water treatment concepts.

Up to six units can be controlled by one sole timer.

Multilingual programming: Display available in English, French, German and Spanish.

User friendly timer: intuitive and fast access to all parameters.

All the information of the system is centralized in the MTS timer, which allows controlling the main parameters of all the system from an accessible point. MTS timer can be installed remotely to ensure an easy and comfortable manipulation of the installation.

Its modular configuration allows modifying the amount of vessels in the installation, adapting it to consumption increases or to servicing needs.

Multiple operation modes available:

- Alternative: one or more vessels in reserve to ensure continuous flow.
- Parallel operation: maximum flow, serial regenerations.
- Peak flow: variable quantity of vessels in service depending on current flow demand.

Specifications

Valves capacity: up to 6 units.

Cable length: 5 m.

Power supply: 220-24 Vac.

Code	Description	Packaging units
960028	MTS Controller	1

Multi-tank systems valves



Description

Slave valves for softening or filtration.
Actuated ball valve included: it allows closing supply water during regenerations if required (before an accumulation tank or in alternative configuration).
Power supply comes from the main controller.

Specifications

Max. flow: 10m³/h
Treatment flow depends on application.
Max. backwash flow: 9 m³/hour.
Softening applications: up to 650 L/36".
Filter applications: up to 21".
Valve controlled by a horizontal piston.
Threaded connection: 4".

Code	Description	Connection	Application	Packaging units
960029	WS655D-MTS Slave	1 1/2"	Softening	1
960030	WS655D-MTS Slave	1 1/2"	Filtration	1

Components

Brine tanks made in HDPE with brine grid and brine well

Greentank®



Code	Model	Height mm	Diameter mm	Brine well	Packaging units
324904	25 L Cylindrical brine tank	440	285	17"	1
324902	70 L Cylindrical brine tank	815	400	35"	1
303500	100 L Cylindrical brine tank	875	460	35"	1
303600	145 L Cylindrical brine tank	950	516	35"	1
303700	200 L Cylindrical brine tank	1040	585	35"	1
303800	350 L Cylindrical brine tank	1275	740	ø135	1
303900	500 L Cylindrical brine tank	1335	840	ø135	1
304000	750 L Cylindrical brine tank	1395	960	ø135	1
304100	1000 L Cylindrical brine tank	1460	1080	ø135	1
304103	1500 L Cylindrical brine tank	1575	1240	ø135	1

324909-25L supplied including brine well, without brine valve and brine grid. Rest of models including brine grid and brine well. Without including brine valve.



Brine Grid



Well



Brine well clamp



Brine well cap

Vessel jackets



Code	Model	Vessel size	Material	Packaging units
340000	Grey round vessel jacket	10 x 54	HDPE	1
340001	Grey square vessel jacket	10 x 54	HDPE	1
340002	Grey round vessel jacket	10 x 44	HDPE	1
340003	Grey square vessel jacket	10 x 44	HDPE	1
340004	Grey round vessel jacket	10 x 35	HDPE	1
340005	Grey round vessel jacket	10 x 17	HDPE	1
340006	White round vessel jacket	10 x 54	HDPE	1
340007	White round vessel jacket	9 x 42	HDPE	1



Code	Model	Material	Packaging units
340008	Cap for 10" round plastic jacket	ABS	1
340009	Cap for 10" square plastic jacket	ABS	1

Membrane housings



Description

Membrane housings made of PRFV.
Max. working pressure: 35 kg/cm².

Code	Membranes units	Height mm	Diameter mm	Model	Max. pressure kg/cm ²	Packaging units
313900	1	613	75	25 x 21	35	1
314100	1	1096	75	25 x 40	35	1
314300	1	446	115	40 x 14	35	1
314500	1	685	115	40 x 21	35	1
314700	1	1166	115	40 x 40	35	1
315000	2	2120	115	40 x 40 x 2	35	1

Reverse osmosis membranes



Code	Brand	Model	Version	Packaging units
744616	Greenfilter	LP2521	Medium pressure	1
744615	Greenfilter	LP2540	Medium pressure	1
744614	Greenfilter	LP4040	Medium pressure	1

Code	Brand	Model	Version	Packaging units
744601	GE Desal	AG2540 FM	High pressure	1
744602	GE Desal	AG2540TM	Medium pressure	1
744603	GE Desal	AG4040FM	High pressure	1
744604	GE Desal	AK4040FM	High salinity/Low pressure	1
744605	GE Desal	AK90LE	Low pressure	1
744606	GE Desal	AG4040TM	Medium pressure	1
744607	GE Desal	AG8040F-400	High pressure	1
744608	GE Desal	AK8040F-400	High salinity/Low pressure	1

Reverse osmosis membranes



hydranautics



Code	Brand	Model	Version	Packaging units
309900	FILMTEC	XLE-2521	Low pressure	1
310100	FILMTEC	TW30-2521	Medium pressure	1
310700	FILMTEC	XLE-2540	Low pressure	1
310900	FILMTEC	TW30-2540	Medium pressure	1
311600	FILMTEC	XLE-4040	Low pressure	1
312100	FILMTEC	TW30-4040	Medium pressure	1
312600	FILMTEC	BW30-4040	High pressure	1
311700	FILMTEC	BW30LE-4040	High salinity/Low pressure	1
313500	FILMTEC	BW30400-8040	High pressure	1

Code	Brand	Model	Version	Packaging units
310300	Toray	TR70-HF-2521	Medium pressure	1
311100	Toray	TR70-HF-2540	Medium pressure	1
311800	Toray	TMH10-4040	Low pressure	1
312200	Toray	TMG10-4040	Medium pressure	1
312800	Toray	TM710-4040	High pressure	1

Code	Brand	Model	Version	Packaging units
310701	Hydranautics	ESPA 1-2540	Low pressure	1
314101	Hydranautics	CPA2-2540	High pressure	1
310702	Hydranautics	ESPA 1-4040	Low pressure	1
311601	Hydranautics	ESPA 2-4040	Medium pressure	1
312601	Hydranautics	CPA2-4040	High pressure	1
311603	Hydranautics	ESPA 2-8040	Medium pressure	1
311602	Hydranautics	CPA3-8040	High pressure	1

Brass solenoid valve 220 Vac



Code	Description	Connection ø	Packaging units
301700	Two ways N.O.	3/8"	1
301800	Two ways N.C.	3/8"	1
301900	Two ways N.O.	1/2"	1
302000	Two ways N.C.	1/2"	1
302100	Two ways N.O.	3/4"	1
302200	Two ways N.C.	3/4"	1
302300	Two ways N.O.	1"	1
302400	Two ways N.C.	1"	1
302500	Two ways N.O.	1 1/4"	1
302600	Two ways N.C.	1 1/4"	1
302700	Two ways N.O.	1 1/2"	1
302800	Two ways N.C.	1 1/2"	1

Stainless steel pumping system



Code	Description	Packaging units
701010	Monophase pressure pump with press control. Max. flow: 90 LPM Max. pressure: 3.5 bar. Connection: 1". Voltage: 220 VAC/50 Hz. Power: 0.75 HP/0.55 Kw.	1

Brass and stainless steel rotary pumps



Code	Description	Packaging units
306100	Pump 400 L/h brass	1
306200	Pump 600 L/h brass	1
306400	Pump 1000 L/h brass	1
306600	Pump 400 L/h SS - 304	1
306700	Pump 600 L/h SS - 304	1
306900	Pump 1000 L/h SS - 304	1

Motors for rotary pumps



Code	Description	Packaging units
307100	Motor 0.5 CV + single-phase for a pump of 400-600 L/h	1
307200	Motor 0.75 CV + single-phase for a pump of 800 L/h	1
307300	Motor 01 CV + single-phase for a pump of 1000 L/h	1

Adaptors for rotary vane pumps of 400-600 L



Code	Model	Packaging units
307700	Joint connector for rotary vane pump	1
307800	Bell housing for rotary vane pump	1

Adaptors for rotary vane pumps of 800-1000 L



Code	Model	Packaging units
307900	Joint connector for rotary vane pump	1
308000	Bell housing for rotary vane pump	1

Greenresin resins



Description

High quality strong cation softening resin.

Specifications

Exchange capacity: min 2 eq/L.

Density: 840 g/L.

Size: 0.3-1.2 mm > 1.2 mm max. 5% and < 0.3 mm max. 1%.

pH range: 0 - 14.

Code	Product	Uses	Packaging units
309300	Resin	Strong cation resin for water softening	25

Ion exchange resins



Code	Product	Uses	Packaging units
309400	Resin	Strong cation monosphere resin for softening	25
309500	Resin	Dem mineralizing strong anion resin	25
309601	Resin	Weak anion resin	25
325000	Resin	Dem mineralizing strong cation resin	25
309700	Resin	Specific for nitrates	25
309800	Resin	Regenerable mixed bed resin	25

Chemical products and filtering medias



Code	Product	Uses	Contents kg	Packaging units
572300	Silicopolyphosphate	Silicopolyphosphate in balls	25	1
308100	Polyphosphate	Food-grade polyphosphate crystals	25	1
308400	Hydroanthracite	Filtering hydroanthracite	25	1
717500	Calcite	Solid pH regulation	25	1
320601	Aquamandix	Iron remover	25	1
308200	Activated carbon	High performing activated carbon for chlorine removal	25	1
308300	Silver ion activated carbon	Bacteriostatic carbon and chlorine removal	25	1
540200	Garnet	Filtering media 0.3-0.6 mm	25	1
308500	Filtration silex	Filtering media 0.3-0.8 mm	25	1
308900	Filtration silex	Filtering media 1.3-2.5 mm	25	1
309000	Filtration silex	Filtering media 2-4 mm	30	1
319400	ION RST	Liquid resin cleaner	30	1
346600	RO 210	Liquid pH increaser	35	1
319900	Sodium metabisulphite (solid)	Chlorine reduction	25	1
733000	RO 10	Antiscalming product for RO	25	1
658200	RO 101	RO membrane acid cleaner	25	1
735400	ROP 3	RO membrane acid cleaner + disinfectant	20	1
320000	ION phos LP	Liquid Polyphosphates for drinking water	27	1
320100	ION phos PS	Liquid Silicopolyphosphates for drinking water	35	1
320700	Tablet salt	Softeners regeneration	25	1

Analysers and test kit



Test kit

Code	Product	Uses	Packaging units
316800	Iron analyser	Analysis range from 3 to 500 ppm (test strips)	1
317100	Nitrates analyser	Analysis range from 10 to 150 ppm (test strips)	1
317000	Nitrates analyser	Analysis range from 10 to 500 ppm (test strips)	1

Reagents for electronic photometer



Code	Product	Uses	Packaging units
317700	Analyser	Measures total and free chlorine, pH and cyanuric acid	1
317800	DPD-1 reagent	Free chlorine determination. 250 tablets. Photometer	1
317900	DPD-3 reagent	Total chlorine determination. 250 tablets. Photometer	1
318000	pH reagent	pH determination 6.80-8.40. 250 tablets. Photometer	1

Reagents for manual kits



Code	Product	Uses	Packaging units
318300	DPD-1	Box with 250 free chlorine DPD-1 determinations	1
318500	DPD-3	Box with 250 total chlorine DPD-3 determinations	1
318700	Phenol red	Box with 250 pH determinations	1



Code	Product	Uses	Packaging units
317701	Multiparameter photometer	Free chlorine, total chlorine, pH, alkalinity, brome, hardness and cyanide acid.	1
318703	Test strips	Total sodium chlorine in water.	1
320708	6 in 1 test strips	Free chlorine, pH, alkalinity, brome, hardness and cyanide acid.	1

Spare parts

Spare parts

**Water
MarkSeries**
watersoftware



Code	Description	Packaging units
920122	Solenoid valve control kit	1
960016	Power adapter 220 VAC 50 Hz / 12 VAC	1
960041	Power adapter 220 VAC 50 Hz / 24 Vac - MTS	1
799614	Main PCB, valve WS180 / Denver	1
960037	Main PCB, valve WS460	1
960028	MTS controller	1
799613	Electronic display, valve WS180, Denver	1
799612	Motor, valve WS180, Denver, Watermark, WS460, WS470	1
799618	Main piston, WS180, Denver, Watermark, WS460	1
799606	Seals and spacers kit, WS180, Denver, Watermark	1
960036	Electronic display, valve WS460	1
799643	Electronic display, valve Watermark, WS470	1
960040	Main piston, valve WS460	1
799636	Electronic display, valve WS650/655	1
799637	Motor, valve WS650/655	1
799638	Main piston, WS650/655	1
799639	Seals and spacers kit, WS650/655	1
799608	3/4" inlet/outlet adapter	1
799607	1" inlet/outlet adapter	1